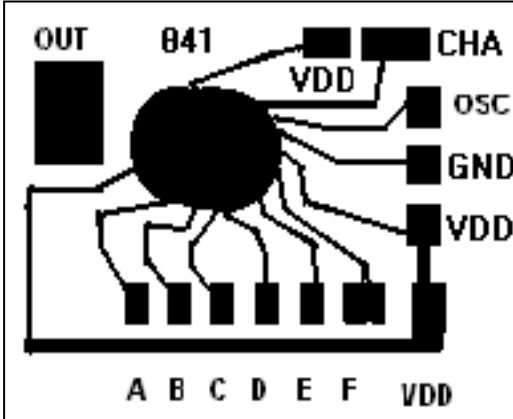




## 84 IN 1 MULTI CHANNEL COB DETAILS



NOTE:

1) OSC RESISTOR 410K TO 430K

### Poweron Continuous Output Details

| SL.NO. | LOCAL PINS | TUNE NAME | FILM NAME |
|--------|------------|-----------|-----------|
|--------|------------|-----------|-----------|

#### MELODIES WITHOUT CHAA

##### TAMIL MELODIES WITHOUT CHAA

|    |     |          |                     |
|----|-----|----------|---------------------|
| 1  | A   | Suttum   | Gajini              |
| 2  | B   | Mayil    | anbe                |
| 3  | C   | Aararai  | anbe                |
| 4  | D   | Vinnodu  | mazhai              |
| 5  | E   | Kajuraho | oru Naal Oru Kanavu |
| 6  | F   | Kodambak | sivakasi            |
| 7  | A&B | Oru_mala | gajini              |
| 8  | A&C | Tharuvi  | chanakya            |
| 9  | A&D | Dipawali | Sivakasi            |
| 10 | A&E | Panituli | Kanda Naal Mudhal   |
| 11 | A&F | Acham    | Aaru                |
| 12 | B&C | Vaada    | Sivakasi            |
| 13 | B&D | Vaadi    | Sachin              |
| 14 | B&E | Uchi     | Majaa               |
| 15 | B&F | Soda     | Aaru                |

##### TELUGU MELODIES WITHOUT CHAA

|    |       |          |                        |
|----|-------|----------|------------------------|
| 16 | C&D   | Ganesha  | Jai Chiranjeeva        |
| 17 | C&E   | Ottamoga | Vamsam                 |
| 18 | C&F   | Aapalena | Adharindhayya Chandram |
| 19 | D&E   | Antham   | Adharindhayya Chandram |
| 20 | D&F   | Nevi     | Allari Pidugu          |
| 21 | E&F   | Aoununi  | Athadu                 |
| 22 | A&B&C | Nathodu  | Vamsam                 |
| 23 | A&B&D | Chi_chi  | Majaa                  |
| 24 | A&B&E | Kannavar | Vamsam                 |



# APPLIED DATA SYSTEMS LTD

## 84 IN 1 MULTI CHANNEL COB DETAILS

SL.NO. LOCAL PINS TUNE NAME FILM NAME

### KANNADAM MELODIES WITHOUT CHAA

|    |       |          |
|----|-------|----------|
| 25 | A&B&F | Lai_laku |
| 26 | A&C&D | Banni    |
| 27 | A&C&E | Chikubuk |
| 28 | A&C&F | Kahonaka |
| 29 | A&D&E | Kolumand |
| 30 | A&D&F | Aa_ante  |
| 31 | A&E&F | Nanu_jit |
| 32 | B&C&D | Vodimaga |
| 33 | B&C&E | Yelu_bet |

### MALAYALAM MELODIES WITHOUT CHAA

|    |         |           |                |
|----|---------|-----------|----------------|
| 34 | B&C&F   | Aisajado  | By The People  |
| 35 | B&D&E   | Sahira    | Lokandan las   |
| 36 | B&D&F   | Kutanadu  | Kazhcha        |
| 37 | B&E&F   | Mundhiri  | Kochirajavu    |
| 38 | C&D&E   | Chakkara  | Chnthupottu    |
| 39 | C&D&F   | Malamale  | Anandabhadhram |
| 40 | C&E&F   | Velmuruga | Naran          |
| 41 | D&E&F   | Israil    | Christian      |
| 42 | A&B&C&D | Pandimel  | Rajamanickam   |

### MELODIES WITH CHAA

#### CHA PAD MUST BE HIGH

### TAMIL MELODIES WITH CHAA

|    |     |          |                     |
|----|-----|----------|---------------------|
| 43 | A   | Suttum   | Gajini              |
| 44 | B   | Mayil    | Anbe                |
| 45 | C   | Aararai5 | Anbe                |
| 46 | D   | Vinnodu  | Mazhai              |
| 47 | E   | Kajuraho | Oru Naal Oru Kanavu |
| 48 | F   | Kodambak | Sivakasi            |
| 49 | A&B | Oru_mala | Gajini              |
| 50 | A&C | Tharuvi  | Chanakya            |
| 51 | A&D | Dipawali | Sivakasi            |
| 52 | A&E | Panituli | Kanda Naalmudhal    |
| 53 | A&F | Acham    | Aaru                |
| 54 | B&C | Vaada    | Sivakasi            |
| 55 | B&D | Vaadi    | Sachin              |
| 56 | B&E | Uchi     | Majaa               |
| 57 | B&F | Soda     | Aaru                |

### TELUGU MELODIES WITH CHAA

|    |       |          |                        |
|----|-------|----------|------------------------|
| 58 | C&D   | Ganesh   | Jai Chiranjeeva        |
| 59 | C&E   | Ottamoga | Vamsam                 |
| 60 | C&F   | Apalana  | Adhirindhayya Chandram |
| 61 | D&E   | Antham   | Adhirindhayya Chandram |
| 62 | D&F   | Nevi     | Allari Pidugu          |
| 63 | E&F   | Aoununi  | Athadu                 |
| 64 | A&B&C | Nathodu  | Vamsam                 |
| 65 | A&B&D | Chi_chi  | Majaa                  |
| 66 | A&B&E | Kannavar | Vamsam                 |



## 84 IN 1 MULTI CHANNEL COB DETAILS

| SL.NO. | LOCAL PINS | TUNE NAME | FILM NAME |
|--------|------------|-----------|-----------|
|--------|------------|-----------|-----------|

### KANNADAM MELODIES WITH CHAA

|    |       |          |  |
|----|-------|----------|--|
| 67 | A&B&F | Lai_laku |  |
| 68 | A&C&D | Banni    |  |
| 69 | A&C&E | Chikubuk |  |
| 70 | A&C&F | Kahonaka |  |
| 71 | A&D&E | Kolumand |  |
| 72 | A&D&F | Aa_ante  |  |
| 73 | A&E&F | Nanu_jit |  |
| 74 | B&C&D | Vodimaga |  |
| 75 | B&C&E | Yelu_bet |  |

### MALAYALAM MELODIES WITH CHAA

|    |         |           |                |
|----|---------|-----------|----------------|
| 76 | B&C&F   | Aisajado  | By The People  |
| 77 | B&D&E   | Sahira    | Lokandan las   |
| 78 | B&D&F   | Kutanadu  | Kazhcha        |
| 79 | B&E&F   | Mundhiri  | Kochirajavu    |
| 80 | C&D&E   | Chakkara  | Chnthupottu    |
| 81 | C&D&F   | Malamale  | Anandabhadhram |
| 82 | C&E&F   | Velmuruga | Naran          |
| 83 | D&E&F   | Israil    | Christian      |
| 84 | A&B&C&D | Pandimel  | Rajamanickam   |

### TRIGGER SECTION

#### Sequential Melodies Without Chaa

A Sequentially Playing Tamil Melodies Without Chaa From 1 To 15  
B Sequentially Playing Telugu Melodies Without Chaa From 16 To 24  
C Sequentially Playing Kannada Melodies Without Chaa From 25 To 33  
D Sequentially Playing Malayalam Melodies Without Chaa From 34 To 42

#### Sequential Melodies With Chaa

##### Cha Pad Must Be High

A Sequentially Playing Tamil Melodies With Chaa From 43 To 57  
B Sequentially Playing Telugu Melodies With Chaa From 58 To 66  
C Sequentially Playing Kannada Melodies With Chaa From 67 To 75  
D Sequentially Playing Malayalam Melodies With Chaa From 76 To 84

## Applied Data Systems Ltd.

Type - II, Unit 7 Hertz Avenue Dr. V.S.I Estate  
Thiruvanmiyur, chennai 600 041.  
Telephone : 22542950, 42045251

[www.adsvoice.com](http://www.adsvoice.com)