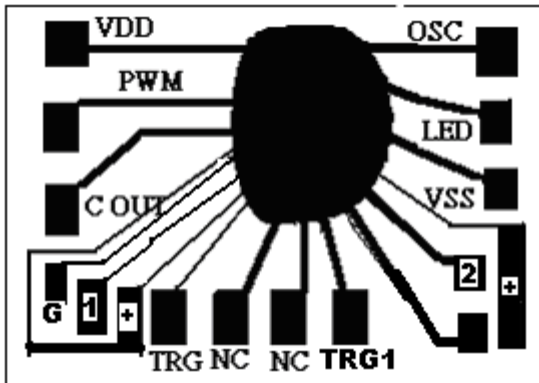




## NEW 14 IN 1 AND 15 IN 1 COB DETAILS



VDD,+----SUPPLY ,VSS,G-GROUND , TRG-TRIGGER ,  
NC-NO CONNECTION PWM-DIRECT OUTPUT,  
COUT-CURRENT OUT , OSC-OSCILLATOR

OSC RES:360K

- 1.Connect Pad 1 To Ground For Pwm Output .
- 2.Connect Pad 1 To Vdd For Current Output.
- 3.Connect Pad 2 With Vdd For 15 In 1 Model.
- 4.In Normal The Model Is 14 In 1
- 5.Trg--- For Toggle Application
- 6.Trg1----For Positive Trigger Application

### 14 in One - CHANTING VOICE LIST:

1. Ohm Maga Ganaathipathi
2. Ohm Namō Narayanaya
3. Ohm Ventakatesaya Namaha
4. suprabadam
5. Yedugundala
6. Om Maha Lakshmi
7. Govinda Hare
8. Aarthi (Bell)
9. Yedugundala + Govinda Hare
10. Gayathri Mantram
11. Ohm Namashivaya
12. Ohm Saravana Bhava
13. Ohm Sakthi Ohm
14. Ohm Sai Nathaya

### 15 in One - CHANTING VOICE LIST:

1. Suprabadam
2. Ohm Namō Narayanaya
3. Ohm Ventakatesaya Namaha
4. Yedugundala
5. Govinda Hare
6. Yedugundala + Govinda Hare
7. Aarthi (Bell)
8. Ohm Krishnaya Namaha
9. Om Maha Lakshmi
10. Gayathri Mantram
11. Ohm Maga Ganaathi
12. Ohm Namashivaya
13. Ohm Saravana Bhava
14. Ohm Sakthi Ohm
15. Ohm Sai Nathaya
16. All in one

## Applied Data Systems Ltd.

Type - II, Unit 7 Hertz Avenue Dr. V.S.I Estate  
Thiruvanmiyur, chennai 600 041.  
Telephone : 22542950, 42045251

[www.adsvoice.com](http://www.adsvoice.com)